

# 190824 B RLT Einzel Glandorf U9-U13 - ME U9

1. Koppa, Lena

a Koppa, Lena

8. Rast

e Koppa, Lena

21/14,21/15

5. Rütten, Marit

b Diekriede, Daria

21/16,14/21,21/16

4. Diekriede, Daria

2. Sumbeck, L.

21/17,21/8

3. Greshake, Emma

c Drews, Leni

21/13,21/16

6. Drews, Leni

f Sumbeck, Lotta

21/14,21/11

7. Fink, Malin

d Sumbeck, Lotta

21/13,21/15

2. Sumbeck, Lotta

Rast

A

g Greshake, Emma

Greshake, Emma

C

E Diekriede, Daria

i Diekriede, Daria

21/9,21/11

Rütten, Marit

B

h Fink, Malin

21/14,21/12

Fink, Malin

D

F Drews, Leni

j Fink, Malin

22/20,22/20

4. Fink, M.

21/11,21/11

3.

I Greshake, Emma

6. Drews, L.

21/13,21/7

5.

J Drews, Leni

G Rast

8. Rütten, M.

H Rütten, Marit

7.

# 190824 B RLT Einzel Glandorf U9-U13 - JE U9

1. Wawsinek, Jaron

a Wawsinek, Jaron

8. Rast

e Brandt, David

21/14,11/21,23/21

5. Münchow, Paul Jakob

b Brandt, David

24/22,21/13

4. Brandt, David

Köster, L.

2.

21/14,21/19

1.

3. Köster, Liam

c Köster, Liam

21/9,18/21,21/13

6. Hagedorn, Moritz

f Köster, Liam

21/12,21/3

7. Dieckhoff, Jona

d Pokorny, Oskar

21/8,21/10

2. Pokorny, Oskar

Rast

A

g Hagedorn, Moritz

Hagedorn, Moritz

C

E Wawsinek, Jaron

i Wawsinek, Jaron

kampflos

Münchow, Paul Jakob

B

h Dieckhoff, Jona

23/21,21/14

Dieckhoff, Jona

D

F Pokorny, Oskar

j Pokorny, Oskar

21/12,21/13

Pokorny, O.

4.

21/17,21/19

3.

I Hagedorn, Moritz

Dieckhoff, J.

6.

kampflos

5.

J Dieckhoff, Jona

G Rast

Münchow, P.

8.

H Münchow, Paul Jakob

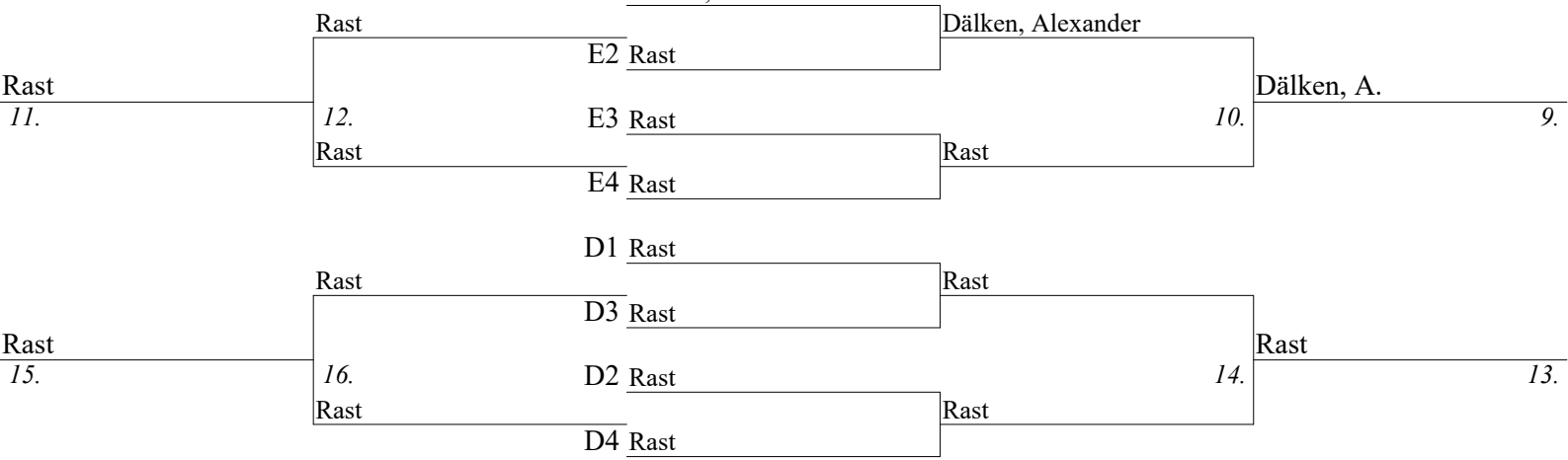
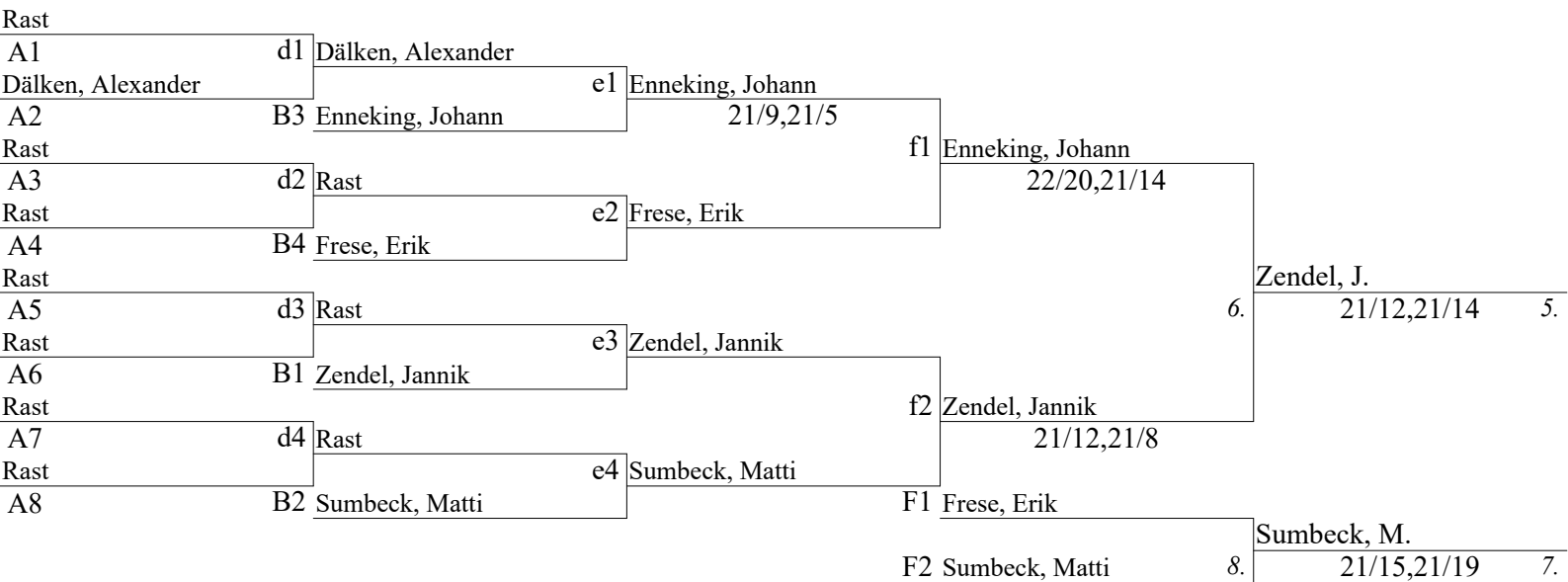
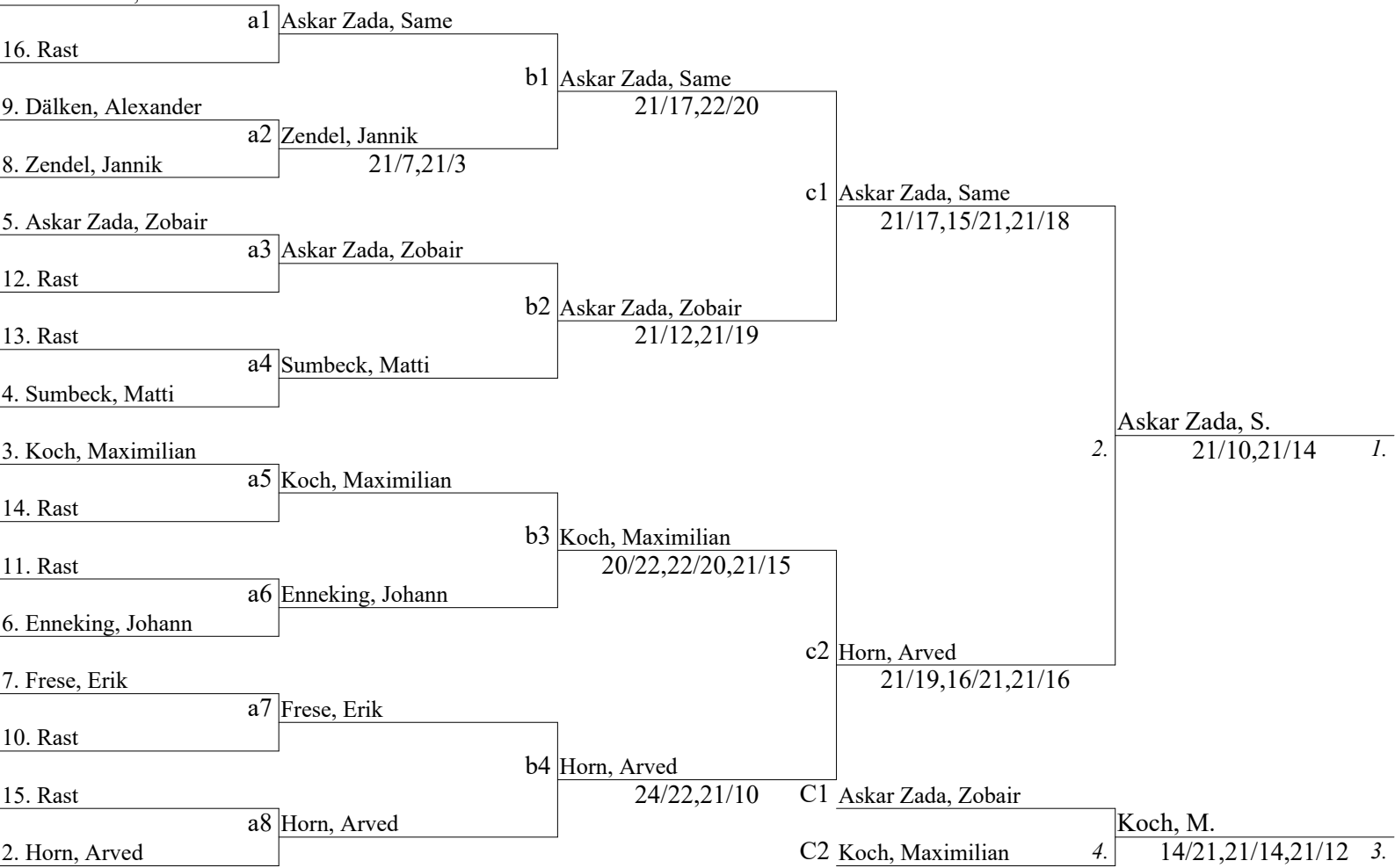
7.

	Gruscke, M.	Lackmann, M.	Lefers, P.	Riekhoff, L.	Schneppat, L.	Rast
Gruscke, M.		10/21,21/16,15/21	12/21,16/21	7/21,6/21	6/21,3/21	
Lackmann, M.	21/10,16/21,21/15		15/21,17/21	4/21,11/21	9/21,8/21	
Lefers, P.	21/12,21/16	21/15,21/17		19/21,21/23	12/21,9/21	
Riekhoff, L.	21/7,21/6	21/4,21/11	21/19,23/21		21/19,17/21,21/16	
Schneppat, L.	21/6,21/3	21/9,21/8	21/12,21/9	19/21,21/17,16/21		
Rast						
Punkte	96 : 184	122 : 172	145 : 146	187 : 124	182 : 106	
Sätze	1 : 8	2 : 7	4 : 4	8 : 1	7 : 2	
Spiele	0 : 4	1 : 3	2 : 2	4 : 0	3 : 1	
Platz	5.	4.	3.	1.	2.	

1. Runde	1. Gruscke, Maya	6. Rast	
	2. Lackmann, Maren	5. Schneppat, Lara-Marlen	9/21,8/21
	3. Lefers, Pia	4. Riekhoff, Lilly	19/21,21/23
2. Runde	Lefers, Pia	Rast	
	Riekhoff, Lilly	Lackmann, Maren	21/4,21/11
	Schneppat, Lara-Marlen	Gruscke, Maya	21/6,21/3
3. Runde	Rast	Schneppat, Lara-Marlen	
	Gruscke, Maya	Riekhoff, Lilly	7/21,6/21
	Lackmann, Maren	Lefers, Pia	15/21,17/21
4. Runde	Lackmann, Maren	Rast	
	Lefers, Pia	Gruscke, Maya	21/12,21/16
	Riekhoff, Lilly	Schneppat, Lara-Marlen	21/19,17/21,21/16
5. Runde	Rast	Riekhoff, Lilly	
	Schneppat, Lara-Marlen	Lefers, Pia	21/12,21/9
	Gruscke, Maya	Lackmann, Maren	10/21,21/16,15/21

# 190824 B RLT Einzel Glandorf U9-U13 - JE U11

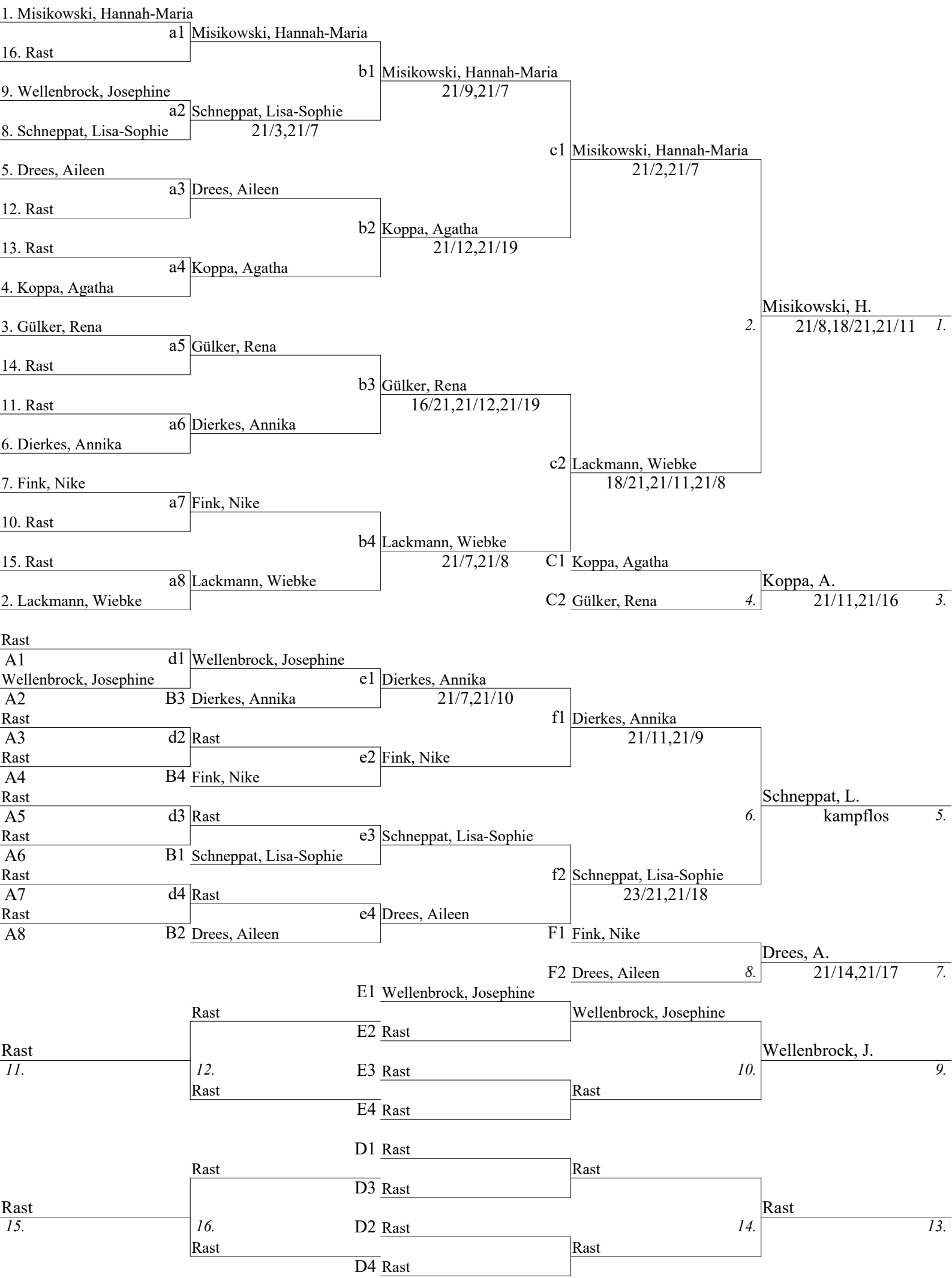
1. Askar Zada, Same



	Henning, L.	Kleine-Piening, P.	Puke, N.	Frese, J.	Menzel, J.	Rast
Henning, L.		21/12,21/17	21/13,21/11	21/15,21/11	21/13,21/4	
Kleine-Piening, P.	12/21,17/21		21/13,21/9	21/10,21/14	21/15,15/21,9/21	
Puke, N.	13/21,11/21	13/21,9/21		22/24,20/22	16/21,12/21	
Frese, J.	15/21,11/21	10/21,14/21	24/22,22/20		12/21,21/18,12/21	
Menzel, J.	13/21,4/21	15/21,21/15,21/9	21/16,21/12	21/12,18/21,21/12		
Rast						
Punkte	168 : 96	158 : 145	116 : 172	141 : 186	176 : 160	
Sätze	8 : 0	5 : 4	0 : 8	3 : 6	6 : 4	
Spiele	4 : 0	2 : 2	0 : 4	1 : 3	3 : 1	
Platz	1.	3.	5.	4.	2.	

1. Runde	1. Henning, Louis	6. Rast	
	2. Kleine-Piening, Phil	5. Menzel, Johann	21/15,15/21,9/21
	3. Puke, Noah	4. Frese, Joschka	22/24,20/22
2. Runde	Puke, Noah	Rast	
	Frese, Joschka	Kleine-Piening, Phil	10/21,14/21
	Menzel, Johann	Henning, Louis	13/21,4/21
3. Runde	Rast	Menzel, Johann	
	Henning, Louis	Frese, Joschka	21/15,21/11
	Kleine-Piening, Phil	Puke, Noah	21/13,21/9
4. Runde	Kleine-Piening, Phil	Rast	
	Puke, Noah	Henning, Louis	13/21,11/21
	Frese, Joschka	Menzel, Johann	12/21,21/18,12/21
5. Runde	Rast	Frese, Joschka	
	Menzel, Johann	Puke, Noah	21/16,21/12
	Henning, Louis	Kleine-Piening, Phil	21/12,21/17

# 190824 B RLT Einzel Glandorf U9-U13 - ME U13



1. Kugelmann, Lukas

16. Scheile, Adrian	a1	Kugelmann, Lukas	21/11,21/10				
9. Haake, Sören		b1	Kugelmann, Lukas	21/8,21/7			
8. Puke, Joel	a2	Haake, Sören	21/18,18/21,23/21				
5. Habben, Marten		c1	Kugelmann, Lukas	21/15,21/14			
12. Laing, Jan	a3	Habben, Marten	21/9,21/13				
13. Krebs, Linus		b2	Thiele, Lias	21/17,21/10			
4. Thiele, Lias	a4	Thiele, Lias	21/6,21/10				
3. Englich, Linus						2.	Kugelmann, L. 21/16,21/13 1.
14. Ossowitzki, David	a5	Englich, Linus	21/11,21/15				
11. Greshake, Luis		b3	Englich, Linus	21/19,16/21,21/11			
6. Nagel, Simon	a6	Nagel, Simon	21/9,21/9				
7. Wittenbrock, Claudius		c2	Schulte, Giovanni	21/16,20/22,24/22			
10. Malafeev, Maxim	a7	Wittenbrock, Claudius	21/11,15/21,21/11				
15. Ambrosius, Noah		b4	Schulte, Giovanni	21/13,21/15	C1	Thiele, Lias	
2. Schulte, Giovanni	a8	Schulte, Giovanni	21/14,21/12		C2	Englich, Linus	4. Englich, L. 19/21,21/11,21/19 3.

Scheile, Adrian

A1	d1	Puke, Joel					
Puke, Joel		e1	Nagel, Simon	13/21,21/19,21/19			
A2	B3	Nagel, Simon					
Laing, Jan		f1	Nagel, Simon	21/15,24/22			
A3	d2	Krebs, Linus	21/17,21/17				
Krebs, Linus		e2	Krebs, Linus	23/21,9/21,21/19			
A4	B4	Wittenbrock, Claudius					
Ossowitzki, David						6.	Nagel, S. 22/20,21/18 5.
A5	d3	Ossowitzki, David	21/19,21/14				
Greshake, Luis		e3	Haake, Sören	21/16,21/18			
A6	B1	Haake, Sören					
Malafeev, Maxim		f2	Habben, Marten	21/8,21/12			
A7	d4	Ambrosius, Noah	21/9,21/14				
Ambrosius, Noah		e4	Habben, Marten	21/12,21/14	F1	Krebs, Linus	
A8	B2	Habben, Marten			F2	Haake, Sören	8. Krebs, L. 21/12,21/11 7.

Puke, J.

11. 21/14,21/15	12.	E3	Ossowitzki, David	10.			Ambrosius, N. 17/21,21/17,21/9 9.
		E4	Ambrosius, Noah				

Laing, J.

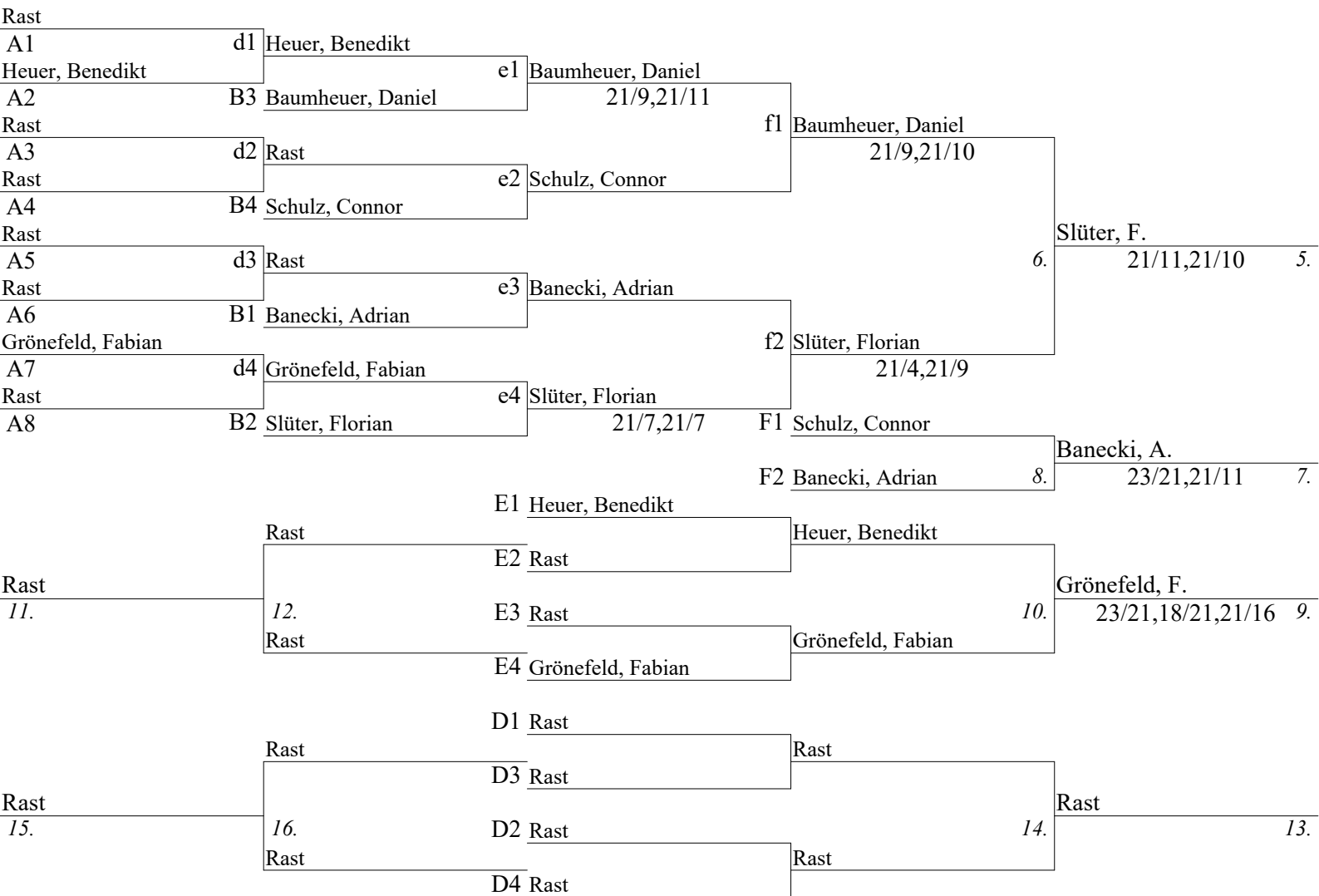
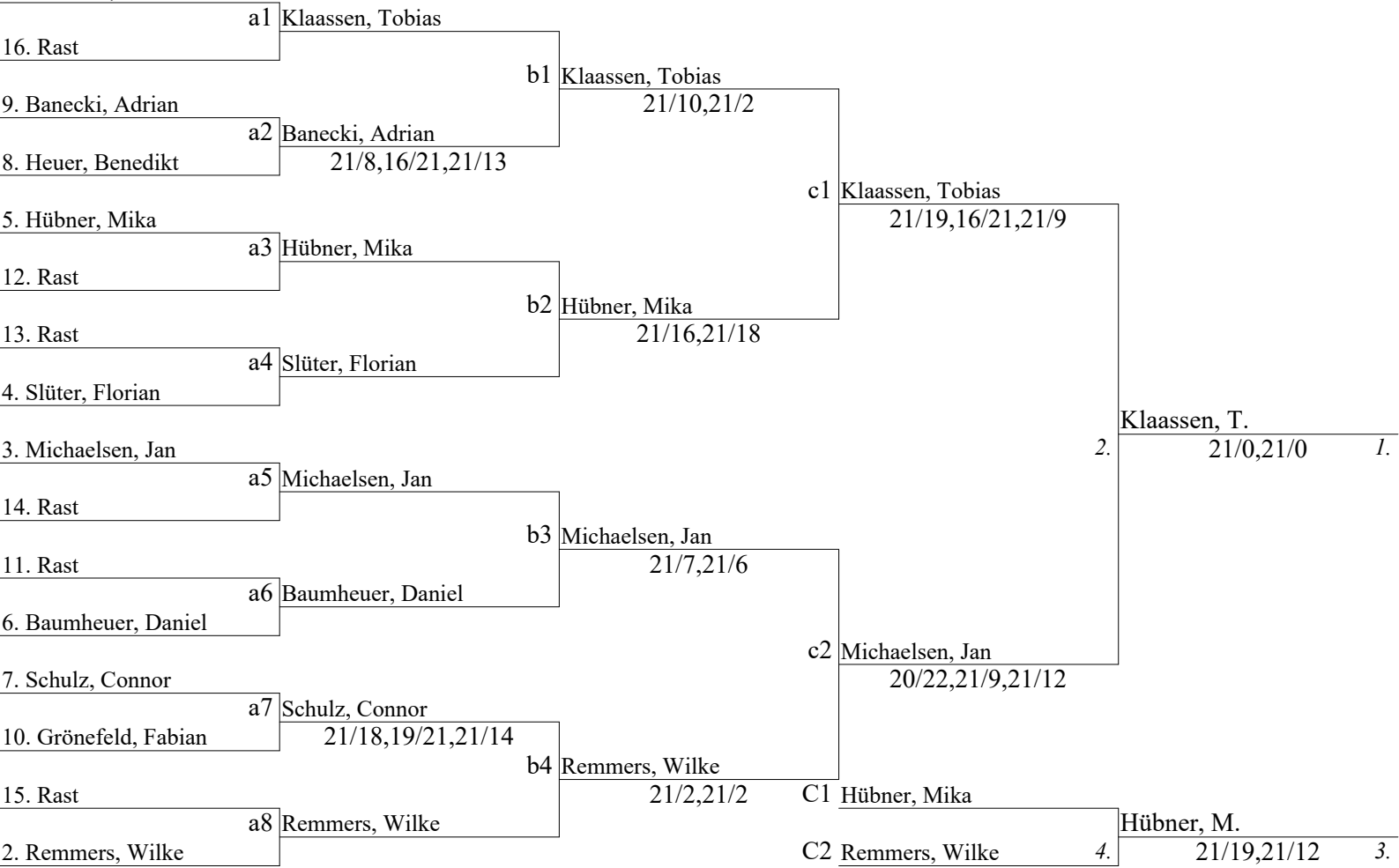
15. 21/16,21/9	16.	D2	Laing, Jan	14.			Scheile, A. 21/16,21/16 13.
		D3	Greshake, Luis				
		D4	Malafeev, Maxim				

	Englich, L.	Bromisch, J.	Merfert, C.	Rast
Englich, L.		12/21,9/21	8/21,15/21	
Bromisch, J.	21/12,21/9		21/23,21/19,21/16	
Merfert, C.	21/8,21/15	23/21,19/21,16/21		
Rast				
Punkte	44 : 84	105 : 79	100 : 86	
Sätze	0 : 4	4 : 1	3 : 2	
Spiele	0 : 2	2 : 0	1 : 1	
Platz	3.	1.	2.	

1. Runde	1. Englich, Luna	4. Rast	
	2. Bromisch, Jaane	3. Merfert, Cara	21/23,21/19,21/16
2. Runde	Bromisch, Jaane	Rast	
	Merfert, Cara	Englich, Luna	21/8,21/15
3. Runde	Rast	Merfert, Cara	
	Englich, Luna	Bromisch, Jaane	12/21,9/21



1. Klaassen, Tobias



# 190825 B RLT Einzel Glandorf - ME U17/19

